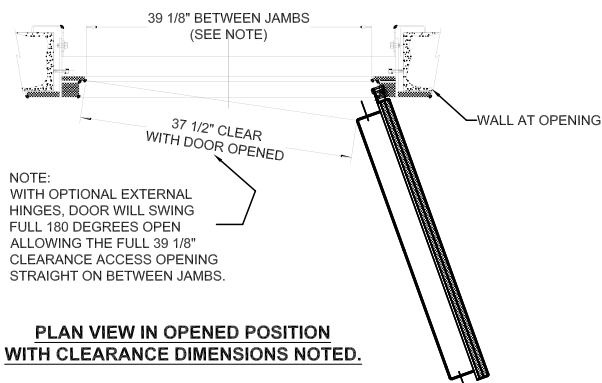


**VD EXECUTIVE 8248  
VAULT DOOR ELEVATION VIEWED FROM OUTSIDE**

DOOR ASSEMBLY WIDTH & HEIGHT = 40 1/2" x 76 1/8"  
39-1/8" x 74-1/4" OPENING BETWEEN FACE FRAME JAMBS

**SIDE VIEW OF FRAME  
(DOOR NOT SHOWN IN FRAME)**



NOTE:  
WITH OPTIONAL EXTERNAL HINGES, DOOR WILL SWING FULL 180 DEGREES OPEN ALLOWING THE FULL 39 1/8" CLEARANCE ACCESS OPENING STRAIGHT ON BETWEEN JAMBS.

**PLAN VIEW IN OPENED POSITION  
WITH CLEARANCE DIMENSIONS NOTED.**

**NOTES:**

1. DOOR AND FRAME IS SHIPPED AS ONE UNIT. CLAMP FRAME PARTS SHIPPED IN SAME CONTAINER.  
  
WEIGHT: approx. XXX# NET / \_\_\_\_ # with packaging.
2. INSTALL IN WALL OPENING PER INSTALLATION INSTRUCTIONS FITS WALL THICKNESS OF 4 1/2" THROUGH 16 1/2".
3. WHEN ORDERING YOU MUST SPECIFY YOUR EXACT WALL THICKNESS AND ROUGH OPENING DIMENSIONS TO ASSURE PROPER FIT.
4. CUSTOM SIZES AVAILABLE FOR OTHER OPENING DIMENSIONS, CALL FOR QUOTES.
5. DIMENSIONS SUBJECT TO CHANGE. CALL FOR CURRENT SPECIFICATIONS BEFORE ORDERING.